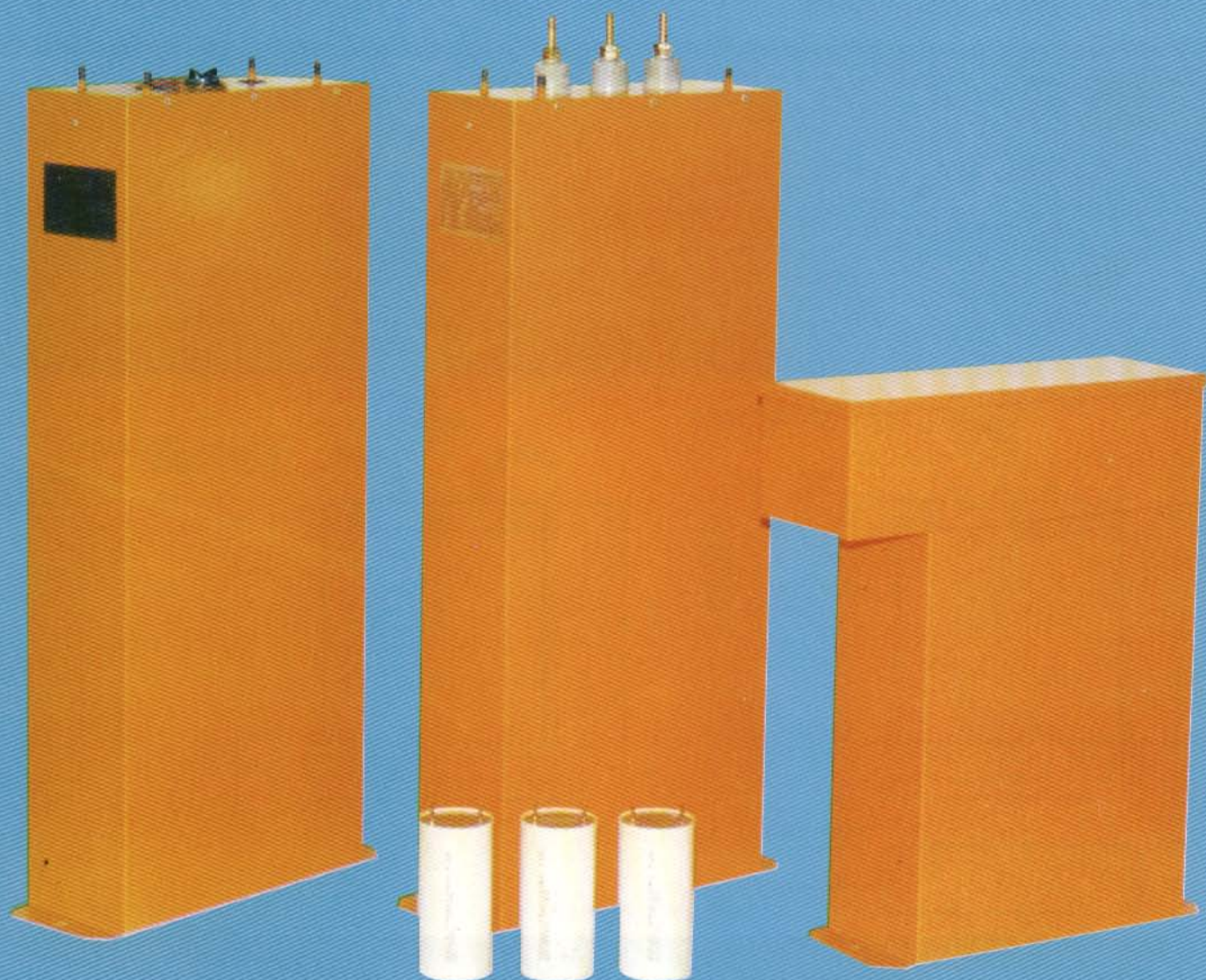


NOKIA LOW VOLTAGE POWER CAPACITORS THREE-PHASE UNITS



MANUFACTURED BY RWW ENGINEERING
USING NOKIA CAPACITOR ELEMENTS



400V (440V ELEMENTS)		525V		Dimension H (mm)		APPROX Weight KG	550V (600V ELEMENTS)		
Type	KVAR	Type	Form	400V & 525V	550V		TYPE	KVAR	FORM
DD070	10	DD520	T	190	190	5	DD500	8	T
DD072	20	DD521	T	190	190	8	DD501	16	T
DD074	30	DD522	T	360	360	9	DD502	24	T
DD075	40	DD523	T	360	360	10	DD503	32	T
DD076	50	DD524	T	360	360	12	DD504	40	T
DD077	60	DD525	T	520	520	13	DD505	48	T
DD078	70	DD526	T	520	520	16	DD506	56	T
DD079	80	DD527	T	520	520	17	DD507	64	T
-	90	DD528	T	700	700	18	DD508	72	T
-	100	DD529	T	700	700	20	DD509	80	T
DD084	20 + 40	DD530	L	700	700	13	DD510	88	T
DD085	2 X 40	DD531	L	700	700	17	DD511	96	T
DD086	30 + 60	DD532	L	700	890	18	DD512	104	T
DD087	2 X 30	-	L	520/700	890	13	DD514	32 + 64	L
DD088	2 X 50	DD534	L	700	890	20	DD515	2 X 64	L
DD089	2 X 60	DD533	L	700	890	21	DD516	1 X 64	L

FORM T = TERMINAL

FORM L = LEAD TYPE

NOTES

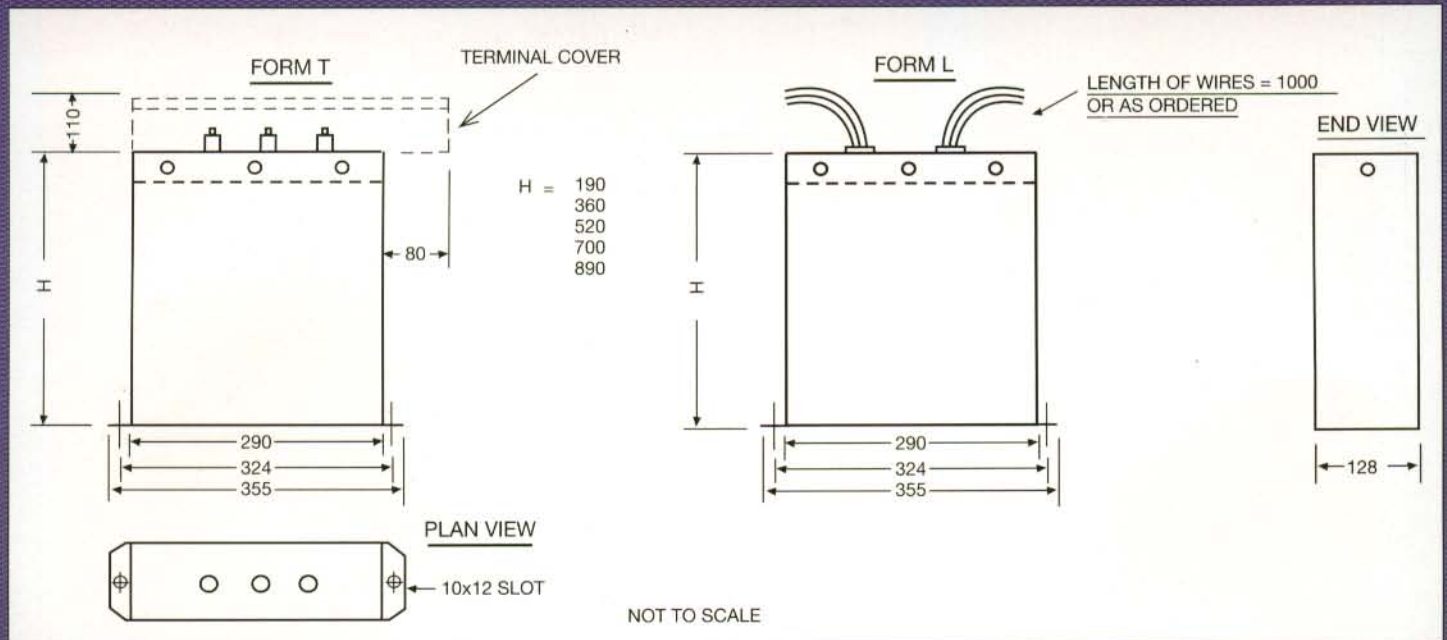
- 1) Standard types for indoor mounting – outdoor available on request.
- 2) Special precautions need to be taken when harmonics are present on systems where capacitors are installed. Contact RWW for further information.
- 3) Capacitor continuous voltage ratings must not be exceeded. 400V units – Max 440V, 525V units – Max 525V, 550V units – Max 600V.

Technical Data

Type: Self healing, dry type
 Frequency: 50/60Hz
 Insulation level: 3 kV RMS/15kV crest
 Over voltage: 1.1 x Un
 Over current: 1.3 x In

Dielectric: Metallized film
 Temp. Category: -40°C / C (+ 50°C)
 Losses: Less than 0,5W/KVAR
 Standards: IEC 831/1-2

Highest mean temperature
 over any period of :
 24 Hours + 40°C
 1Year + 30°C



Low voltage three phase units are assembled by RWW and consist of a number of Nokia elements wound from metallized polypropylene film dielectric. These dry elements are vacuum processed and encapsulated in plastic containers with a thermo setting resin. The units are then mounted in a sheet steel tank filled with inert natural mineral granules. Internal connections are arranged to give the required three phase rating, external discharge resistors are fitted and terminal boxes are also supplied. This type of capacitor is environmentally safe, light in weight and self healing.

MANUFACTURED BY:



R.W.W. ENGINEERING (PTY) LTD
 50 Mount Ida Road, Robertsham, Jhb
 PO Box 2042, Southdale 2135
 Tel:(011) 433-8003 Fax:(011) 433-8011

DISTRIBUTED BY:

WE RESERVE THE RIGHT TO ALTER SPECIFICATIONS